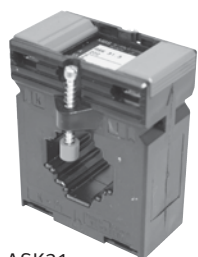




Current transformers class 1



ASK31

Max size of primary conductor (mm)		Primary current	Secondary current (A)	VA	Part No.
Bar	Cable Dia				
Foot or busbar mount Class 1 accuracy					
30 x 10mm	26mm	200A	5A	5VA	ASK31.3/200/5
30 x 10mm	26mm	400A	5A	5VA	ASK31.3/400/5
30 x 10mm	26mm	600A	5A	5VA	ASK31.3/600/5



ASK51

50 x 12mm	44mm	800A	5A	10VA	ASK51.4/800/5
50 x 12mm	44mm	1000A	5A	10VA	ASK51.4/1000/5
50 x 12mm	44mm	1200A	5A	10VA	ASK51.4/1200/5



ASK101

100 x 10mm	70mm	600A	5A	10VA	ASK101.4/600/5
100 x 10mm	70mm	800A	5A	10VA	ASK101.4/800/5
100 x 10mm	70mm	1000A	5A	10VA	ASK101.4/1000/5
100 x 10mm	70mm	1200A	5A	10VA	ASK101.4/1200/5
100 x 10mm	70mm	1500A	5A	10VA	ASK101.4/1500/5



ASK128

128 x 38mm	-	1000A	5A	10VA	ASK128.4/1000/5
128 x 38mm	-	1200A	5A	10VA	ASK128.4/1200/5
128 x 38mm	-	1500A	5A	15VA	ASK128.4/1500/5
128 x 38mm	-	2000A	5A	15VA	ASK128.4/2000/5
128 x 38mm	-	2500A	5A	15VA	ASK128.4/2500/5

Standoff insulators



Stand off height (mm)	Fixing thread	Part No.
Colour - red		
25	M6	DB25/PM6
34	M8	DB34/PM8
34	M10	DB34/PM10
50	M10	DB50/PM10
50	M12	DB50/PM12
65	M10	DB65/PM10
65	M12	DB65/PM12

TECHNICAL INFORMATION

Current transformers

Type	ASK**
Standards	VDO 414 Part 1; DIN42600; VBG4; IEC60044-1
Construction	
Case	Ultrasonically welded Polycarbonate
Flammability	Self-extinguishing to UL94Vo
Terminals	Nickel Plated Brass
Environment	For dry indoor use.
Temperature	-5 C to +40 C
Ratings	
Voltage maximum	0.72 kV
Frequency	50/60Hz
Nominal Thermal Short Time Current	60 x In
Insulation	Class E
Supply	
Foot Mountings	2
Bar Mount Screws	2 (12 with ASK128)

Standoff insulators

Type		DB25	DB34	DB50	DB65
Operating Temperature		-40 C to +130 C			
Flammability		to UL94VO			
AC Internal Flashover Voltage	kV	20	30	40	40
AC Surface Flashover Voltage	kV	7	10	12	15
Twisting Stress	DN X m	3	5	6	6
Compressive Stress	DN	2100	6500	6800	8300
Cantilever Stress	DN	180	450	450	700
Tensile Stress	DN	300	800	850	1500

Power distribution blocks

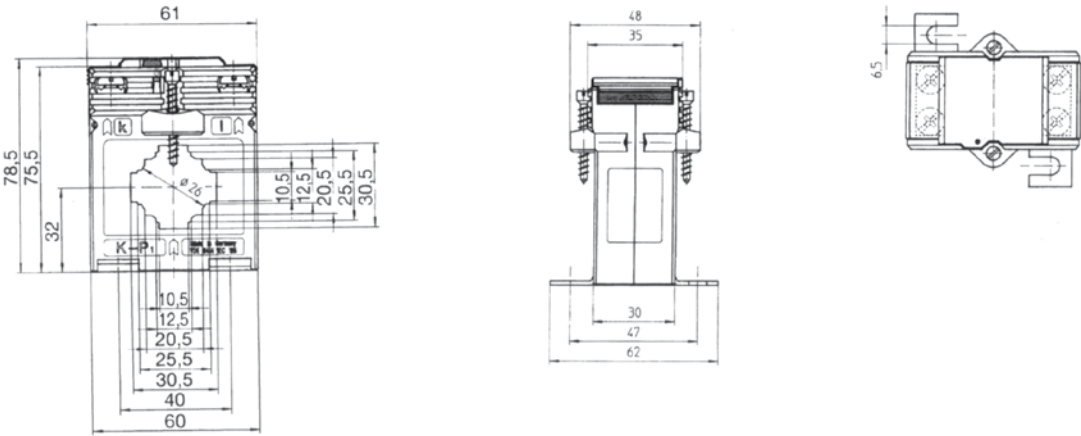
			FTG-1/080	FTG-1/125	FTG-1/250
Operational Voltage		VAC	600	600	600
Current Rating Cu/Al		A	85 / 66	130 / 103	300 / 260
Short Cct Peak - Ipk		kA	2.7	30	51
Short Cct 1 second - Icw		kA	1.9	4.4	21
Input connections	Qty / Size		1x 2.5-16mm ²	1x 10-35mm ²	1x 35-120mm ²
	Tool		Pozi or flat screwdriver	4mm Allen Key	6mm AllenKey
	Torque	Nm	1.5	3.5	19
Output connections without ferrules	Qty / Size		2x 2.5-16mm ² 4x 2.5-6mm ²	1x 6-16mm ² 6x 2.5-16mm ²	4x 2.5-10mm ² 5x 2.5-16mm ² 2x 6-35mm ²
	Tool		Pozi or flat screwdriver	Pozi or flat screwdriver	Flat screwdriver
	Torque	Nm	1.5 / 0.8	3.5 / 2.0	18 / 18 / 31
Mounting			DIN-Rail or base mounting with 2x M5 screws		
Protection			IP20	IP20	IP20
Dimensions (LxWxH) mm			66 x 27 x 47	74 x 27 x 47	96 x 45 x 49



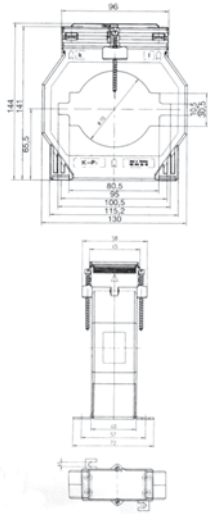
DIMENSIONS



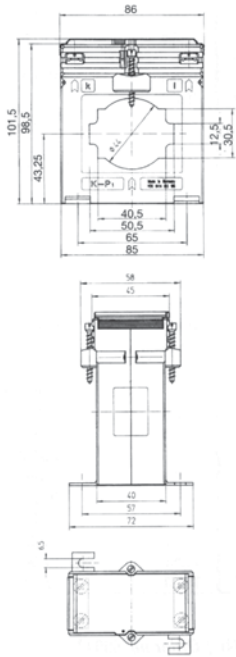
ASK31.3



ASK101.4



ASK51.4



ASK128.4

