

## *ENSTO - Saves your energy*



Ensto Underground offers a comprehensive solution for 1-36kV cable networks.

The products have been developed to endure the most varying and demanding conditions and both their mechanical and electrical properties have been thoroughly type tested. Ensto products exceed the requirements of international and national standards.

The shear bolt connector and cable lug range stocked by JEAN MÜLLER NZ Ltd offer many advantages over other brands available including:

- both LV and MV lugs available
- wider range of LV connectors and lugs
- less tools required
- competitive pricing.

## Low voltage cable connectors & lugs 1kV



Shear head bolt connectors with barrier 1kV



Nominal cable size	No. of bolts	Tools required for installation	Part No.
Suitable for solid and stranded, sector and circular shaped cables			
6-50mm <sup>2</sup>	2	14mm Socket	ESLJ6-50
35-95mm <sup>2</sup>	2	14mm Socket	ESLJ35-95
95-240mm <sup>2</sup>	4	21mm Socket	ESLJ95-240
150-300mm <sup>2</sup>	4	21mm Socket	ESLJ150-300

Fillers



Nominal cable size	Part No.
Used with ESLJ connectors when the cable to be joined is smaller	
16-35mm <sup>2</sup> for ESLJ35-95	SLJT2
50-70mm <sup>2</sup> for ESLJ95-240	SLJT3
95-120mm <sup>2</sup> for ESLJ150-300	SLJT4

Shear head bolt cable lugs 1kV



Nominal cable size	No. of bolts	Tools required for installation	Part No.
Suitable for solid and stranded, sector and circular shaped cables			
6-50mm <sup>2</sup>	2	14mm Socket	ESAL6-50
50-95mm <sup>2</sup>	2	14mm Socket	ESAL50-95
95-185mm <sup>2</sup>	2	21mm Socket	ESAL95-185
150-300mm <sup>2</sup>	2	24mm Socket	ESAL150-300



## Medium voltage cable connectors & lugs 36kV

### Shear head bolt connectors with barrier 36kV



ESMJ

Nominal cable size	No. of bolts	Tools required for installation	Part No.
Suitable for solid and stranded, sector and circular shaped cables			
10-95mm <sup>2</sup>	2	17mm Socket	ESMJ10-95
70-240mm <sup>2</sup>	4	24mm Socket	ESMJ70-240
120-300mm <sup>2</sup>	6	24mm Socket	ESMJ120-300
185-400mm <sup>2</sup>	6	22mm Socket	ESMJ185-400
400-630mm <sup>2</sup>	6	24mm Socket	ESMJ400-630



ESML

### Shear head bolt cable lugs 36kV

Nominal cable size	No. of bolts	Tools required for installation	Part No.
With 13mm palm hole			
10-95mm <sup>2</sup>	2	17mm Socket	ESML10-95
70-240mm <sup>2</sup>	2	24mm Socket	ESML70-240
120-300mm <sup>2</sup>	2	28mm Socket	ESML120-300
185-400mm <sup>2</sup>	3	22mm Socket	ESML185-400
400-630mm <sup>2</sup>	3	22mm Socket	ESML400-630

### Clampo Pro Bi-Metallic Terminals



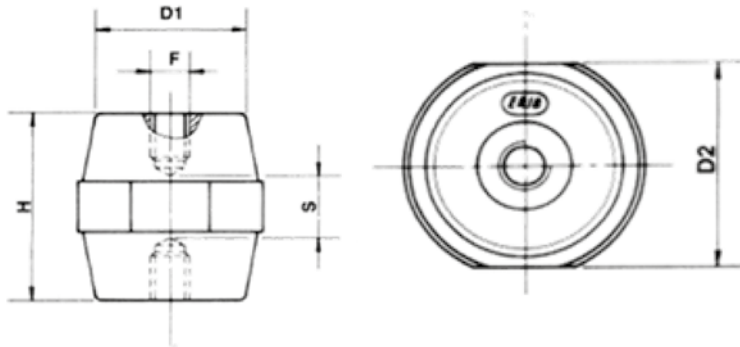
KE69, KE64, KE63

Nominal cable size	Screw size	No. of poles & colour	Part No.
Suitable for copper and aluminium cables			
16-95mm <sup>2</sup>	5mm Allen Key	1 pole, grey	KE62
35-150mm <sup>2</sup>	8mm Allen Key	1 pole, grey	KE63
35-240mm <sup>2</sup>	8mm Allen Key	1 pole, grey	KE64
35-240mm <sup>2</sup>	8mm Allen Key	2 pole, grey	KE69

### Terminal shrouds

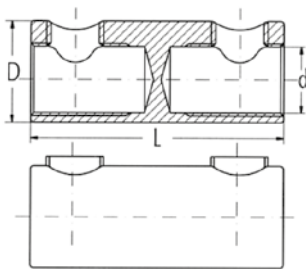
	Part No.
Terminal shroud for KE62	KEL62
Terminal shroud for KE63	KEL63
Terminal shroud for KE62	KEL64

## DB Standoff Insulators

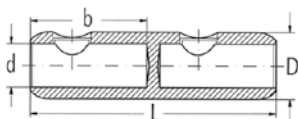


	F	H	D1	D2	S
<b>DB25</b>	M6	25.2	15	19	9
<b>DB34</b>	M8	35	28	32	10
<b>DB34</b>	M10	35	28	50	10
<b>DB50</b>	M10	51	29	36	20
<b>DB65</b>	M10	63.5	35	41	30

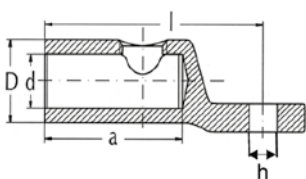
## Shear head bolt connectors & lugs



	L	D	d
<b>ESLJ6-50</b>	54	20	11
<b>ESLJ35-95</b>	58	31	20
<b>ESLJ95-240</b>	119	38	26
<b>ESLJ150-300</b>	130	43	29



	L	D	d
<b>ESMJ10-95</b>	70	25	14
<b>ESMJ95-240</b>	120	34	20.5



	L	D	d	h	Palm Width
<b>ESAL6-50</b>	50	20	10	10.3	20
<b>ESAL50-95</b>	74	25	15	10.5	25
<b>ESAL95-185</b>	85	30	19	12.5	30
<b>ESAL150-300</b>	114	42	29	12.5	42
<b>ESML10-95</b>	60	26	14	13	26
<b>ESML95-240</b>	103	34	20	17	34