

Cable Distribution Cabinets series KVS



Product definition

DIN EN 61439-1, DIN EN 61439-2

DIN EN 61439-5 and DIN 43629

Range

- 850mm high cabinets
- four widths from 4 way to 10 way
- available in kitset or assembled
- available with busbars up to 1000A

Construction

- constructed from glass-fibre reinforced polyester to DIN14598
- cabinet and base are separate items

Features

- IP44 protection
- three point door locking
- ribbed surface to resist poster adhesion
- door opening 180°
- grid for additional ground holding available

Cable Distribution Cabinets series KVS 850mm height

Cabinet supplied as kitset

		No of ways	Dimensions mm H x W x D	Part No.
		4 way	850 x 462 x 322	KVS00/10SV
		5 way	850 x 596 x 322	KVS0/10SV
		7 way	850 x 791 x 322	KVS1/10SV
		10 way	850 x 1121 x 322	KVS2/10SV

Cabinet supplied assembled

		No of ways	Dimensions mm H x W x D	Part No.
		4 way	850 x 462 x 322	KVS00/10
		5 way	850 x 596 x 322	KVS0/10
		7 way	850 x 791 x 322	KVS1/10
		10 way	850 x 1121 x 322	KVS2/10

Cabinet supplied assembled with 700A busbars (keylock additional)

		No of ways	Dimensions mm H x W x D	Part No.
		4 way	850 x 462 x 322	KVS00/10SAP
		5 way	850 x 596 x 322	KVS0/10SAP
		7 way	850 x 791 x 322	KVS1/10SAP
		10 way	850 x 1121 x 322	KVS2/10SAP

Cable Distribution Cabinets series KVSL (LABEO)



Replacement for NKVS series

Product definition

DIN EN 61439-1, DIN EN 61439-2

DIN EN 61439-5 and DIN 43629

Range

- 1100mm high cabinets
- three widths from 5 way to 10 way

Construction

- constructed from glass-fibre reinforced polyester to DIN14598
- cabinet and base are separate items

Features

- IP44 protection
- three point door locking
- door opening 180°
- grid for additional ground holding available

Cable Distribution Cabinets series KVSL (LABEO) 1100mm height

Cabinet supplied assembled

		No of ways	Dimensions mm H x W x D	Part No.
		5 way	1100 x 605 x 320	KVSL0-31/PNT
		7 way	1100 x 800 x 320	KVSL1-31/PNT
		10 way	1100 x 1130 x 320	KVSL2-31/PNT

Cabinet supplied assembled with 700A busbars (keylock additional)

		No of ways	Dimensions mm H x W x D	Part No.
		5 way	1100 x 605 x 320	KVSL0/SAP
		7 way	1100 x 800 x 320	KVSL1/SAP
		10 way	1100 x 1130 x 320	KVSL2/SAP

KVSL accessories

Oval head screw	All cabinets	KVSL Dome screw
Counter sunk screw		KVSL Counter sunk screw
Door stay		KVSL Door stay



Cable Distribution Cabinets - bases and accessories



FP0

Bases for KVS and KVSL cabinets in kitset form
NEW KVSL cabinets fit existing FP base

For cabinets	Dimensions mm H x W x D	Part No.
KVS00	902 x 460 x 310	FP00-10/KS
KVS0 & KVSL0	902 x 585 x 310	FP0-10/KS
KVS1 & KVSL1	902 x 780 x 310	FP1-10/KS
KVS2 & KVSL2	902 x 1110 x 310	FP2-10/KS



FP1 with GBPLO

Bases for KVS cabinets assembled with 700A E/N bar

For cabinets	Dimensions mm H x W x D	Part No.
KVS00	902 x 460 x 310	FP00-SAN
KVS0 & KVSL0	902 x 585 x 310	FP0-SAN
KVS1 & KVSL1	902 x 780 x 310	FP1-SAN
KVS2 & KVSL2	902 x 1110 x 310	FP2-SAN



FP1 with FPH

Pedestal elevation for flood areas

Description	Size	Part No.
511mm elevation	00	FPH00-10/KS/BV
	0	FPH0-10/KS/BV
	1	FPH1-10/KS/BV
	2	FPH2-10/KS/BV

Accessories

	Part No.
Cylinder key lock for KVS and KVSL cabinets Additional charge for lock keyed to customers requirement (net price)	CKL-UL
Grid baseplate to increase groundholding for 00/0/1	GBPLO
Padlockable handle	SV-PL

Cable Distribution Cabinets series EH

Empty cabinets

Model	Dimensions mm H x W x D	Part No.
EHFB	1349 x 425 x 240	EHFB
EHFERB	1622 x 425 x 240	EHFERB

Fitted cabinets (keys invoiced separately, but included in price)

Model	Fitted with	Dimensions mm H x W x D	Part No.
EHFB	- formica panel 400 x 450mm - key lock additional	1349 x 425 x 240	EHFB/PNL
EHFERB	- 700A phase bars - single earth/neutral bar - key lock additional	1622 x 425 x 240	EHFERB/35

Accessories

	Part No.
Cylinder key lock for EH cabinets Additional charge for lock keyed to customers requirement (net price)	CKL-UL
Threaded insert M6	SOC-IT6
500ml paint kit - any colour	JMTE/PAINT/KIT500
1000ml paint kit - any colour	JMTE/PAINT/KIT1000

Note: Paint kits include - 2k colour, hardener, thinner, mixing bowl, roller with sleeve & data sheet.



EHFB



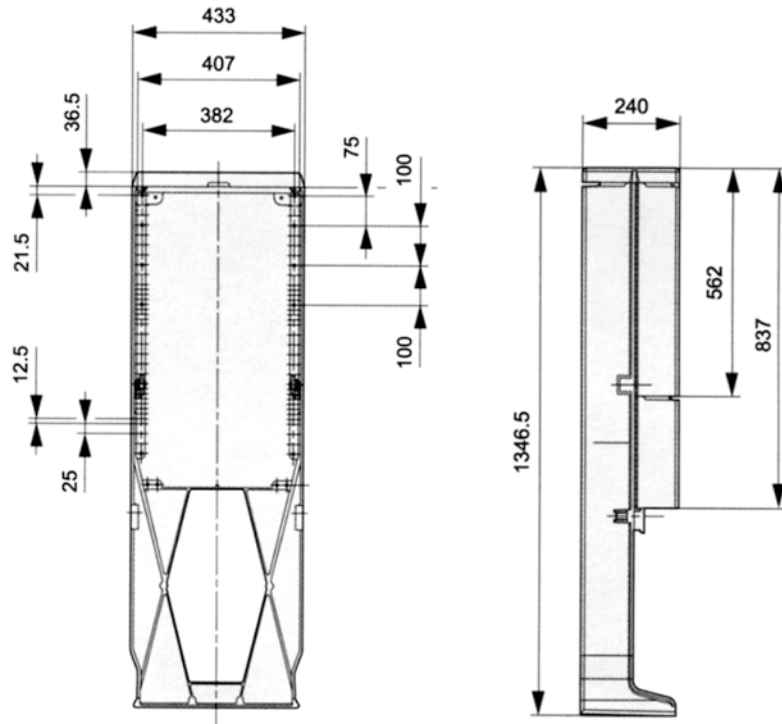
EHFERB



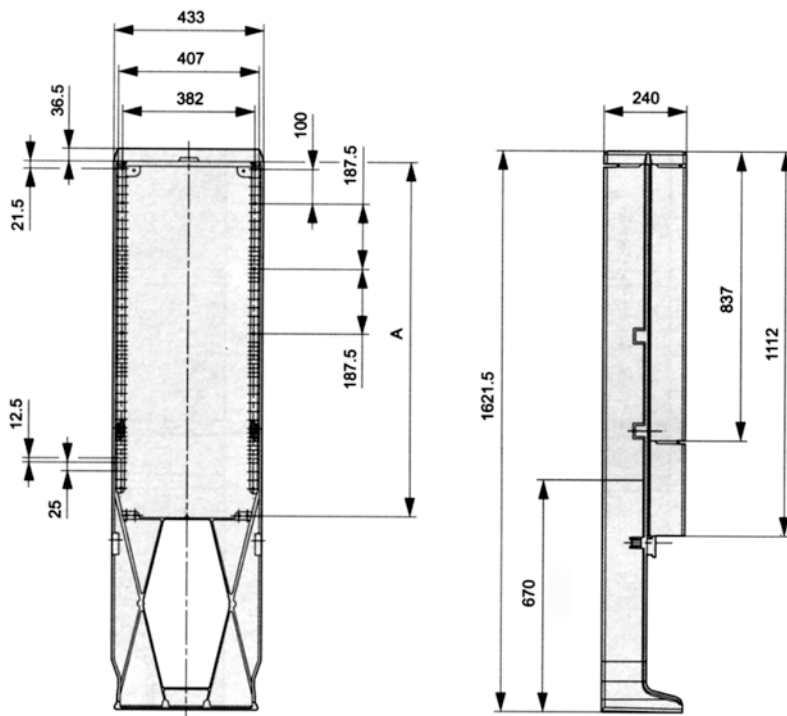
EHFERB/35 with
disconnects fitted

DIMENSIONS

EHFB

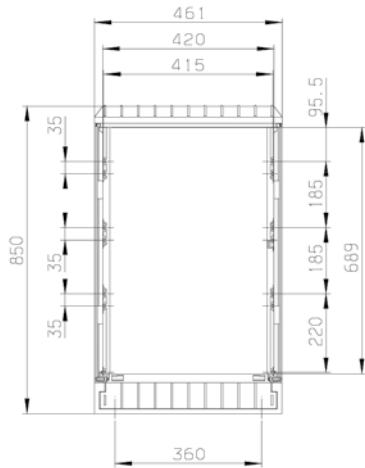


EHFERB

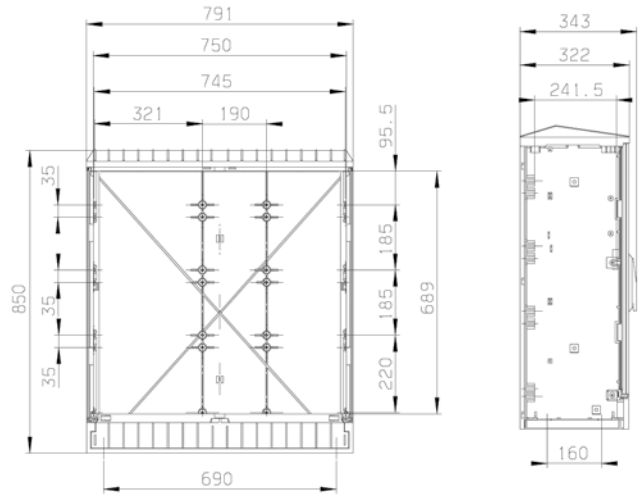


EHFERB

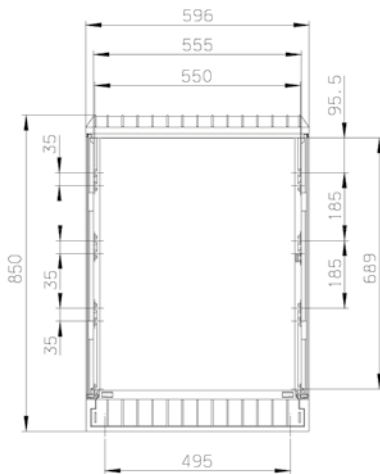
KVS00/10



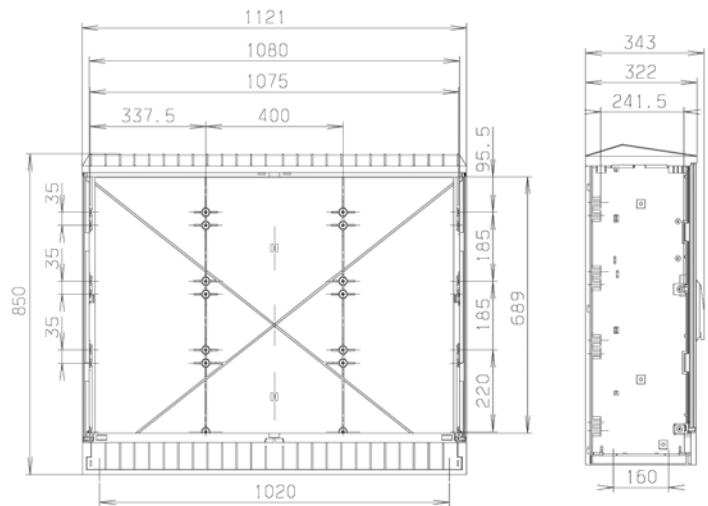
KVS1/10



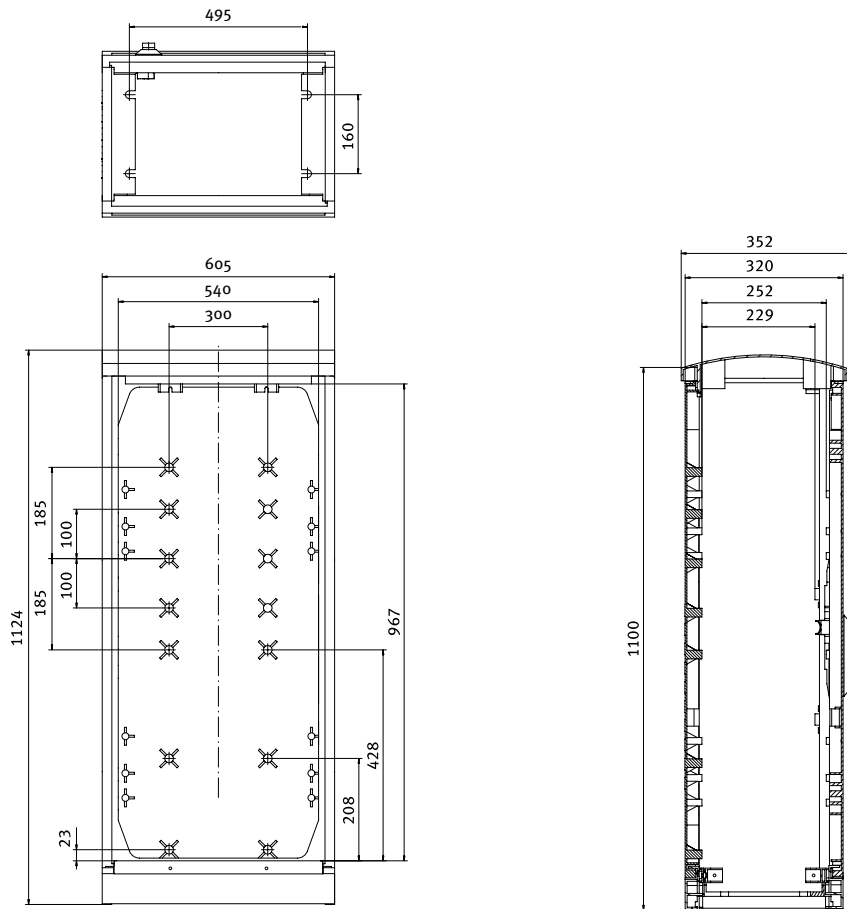
KVS0/10



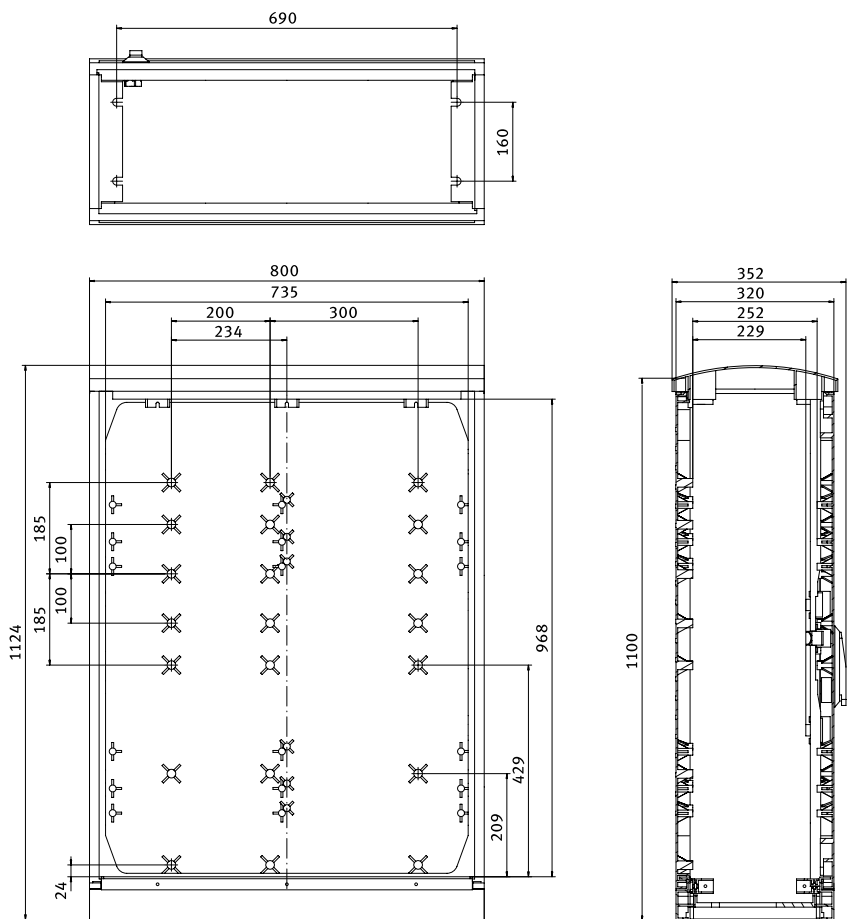
KVS2/10



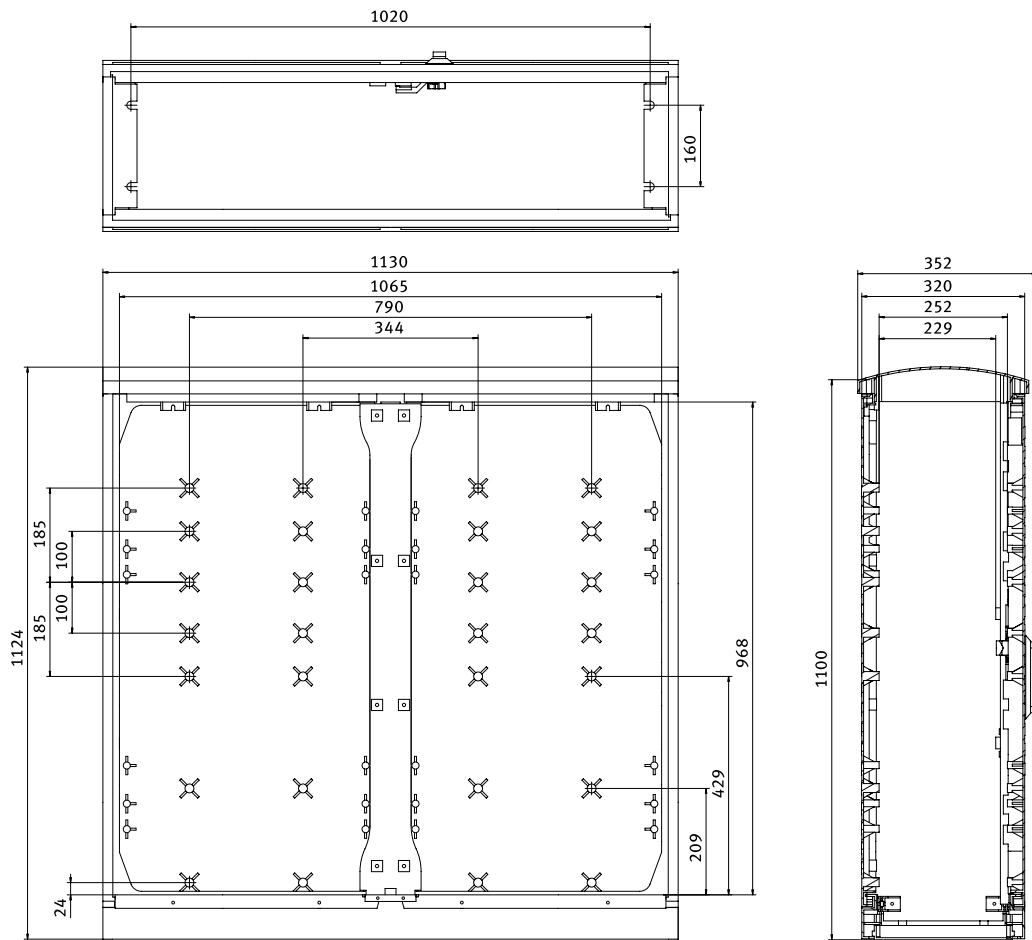
KVSL0



KVSL1

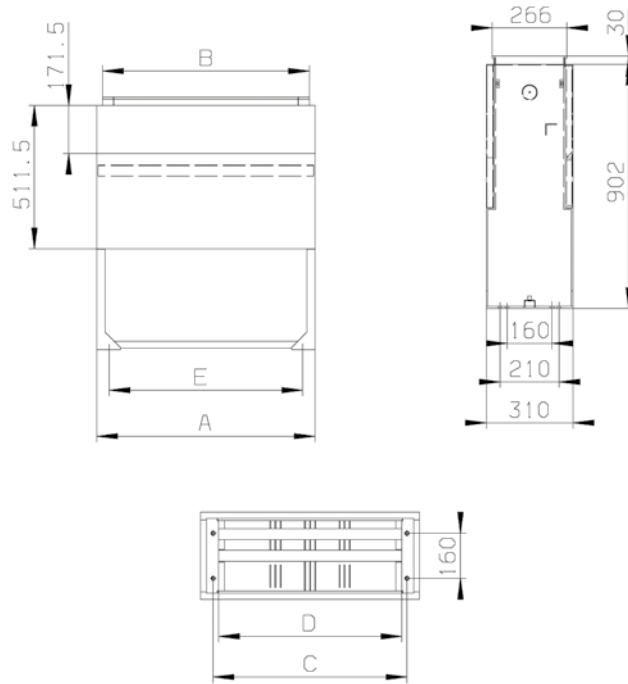


KVSL2



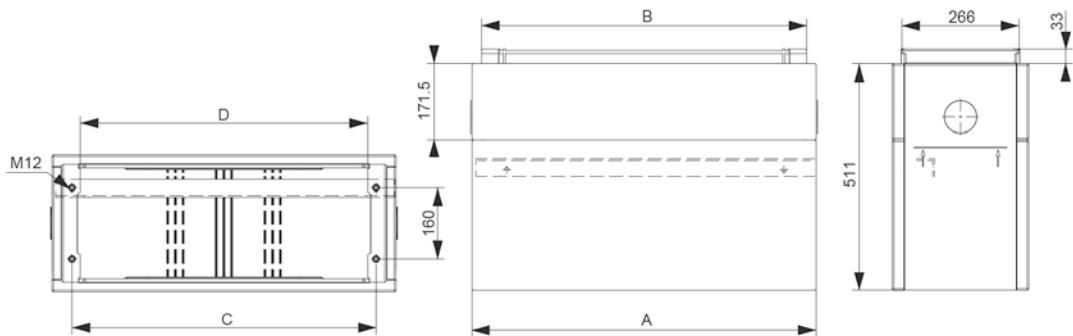
All dimensions in mm

FP00
FP0
FP1
FP2



	A	B	C	D	E
FP00	450	408	360	322	360
FP0	585	543	495	457	495
FP1	780	738	690	652	690
FP2	1110	1068	1020	982	1020

FPH00
FPH0
FPH1
FPH2



Size	A	B	C	D
FPH00	450	408	360	322
FPH0	585	543	495	457
FPH1	780	738	690	652
FPH2	1110	1068	1020	982